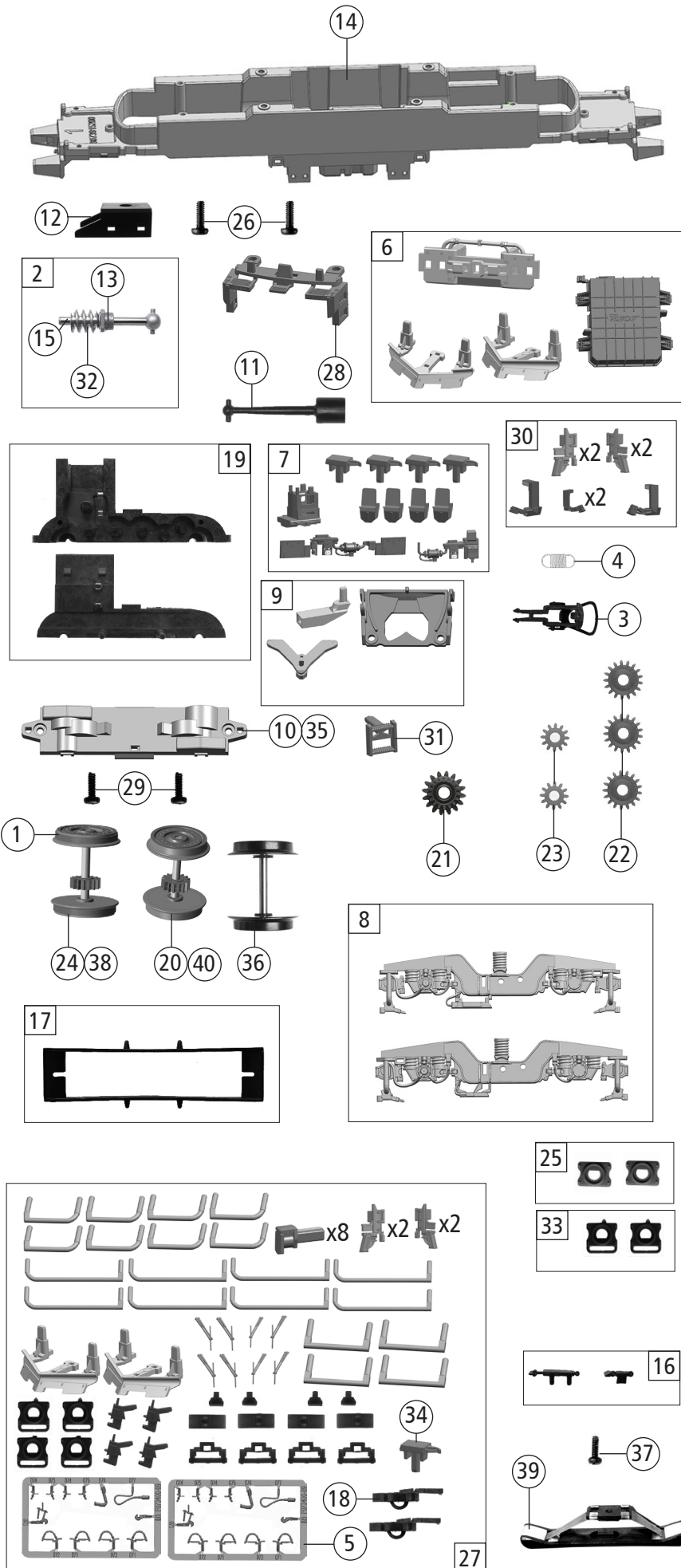


| Pos. Nr. Pos.no. | Beschreibung Description | Art.-Nr. Art.no. | Preisgruppe Price bracket |
|---------------------|---|---------------------|------------------------------|
| 7500154 | ÖBB VECTRON | | |
| 7510154 | | | |
| 7520154 | | | |
| 1 | Gehäuse kpl.Betr.Nr. 1293 069-1 Body complete loco nr. 1293 069-1 | 152133 | 38 |
| 2 | Antenne Antenna | 141152 | 3 |
| 3 | Dachbaugruppe kpl. Roof assy complete | 142208 | 35 |
| 4 | Stromabnehmer Typ 8 Pantograph type 8 | 85488 | 23 |
| 5 | GF-Schraube M2x5 mm Self-tapping screw | 114966 | 3 |
| 6 | Führerstand und Himmel Driver's cab and ceiling | 141640 | 8 |
| 7 | TS-Dachgitter Part set roof grid | 141150 | 10 |
| 8 | TS-Stirn + Seitenfenster Part set front and side window | 144603 | 9 |
| 9 | TS-Abdeckungen Part set covers | 141137 | 4 |
| 10 | TS-Lichtleiter und Scheinwerfer Part set light conductor and headlight | 141148 | 14 |
| 11 | Dachleitungen Roof wires | 141157 | 8 |
| 12 | Türgriff Door handrail | 141154 | 4 |
| 13 | TS-Wischer links und rechts,Horn Part set wiper left and right,signal horn | 141155 | 6 |
| 14 | Stromabnehmer SBB Pantograph SBB | 85400 | 19 |
| 15 | Stromabnehmer Typ 8 Pantograph type 8 | 85491 | 23 |
| 16 | TS-Isolatoren Part set isolators | 141156 | 5 |
| 17 | Frontplatte Front plate | 152134 | 8 |
| 18 | Puffer eckig Rectangular buffer | 122789 | 3 |
| 19 | TS-Lautsprecherbox und Platten Part set loudspeaker box and plates | 141139 | 5 |
| 20 | SK-Schraube M1,6x5 mm SK-Screw | 115317 | 4 |
| 21 | Platine kpl.m.LED-Platine PCB complete with LED-PCB | 145652 | 23 |
| 22 | Brückenstecker Jumper | 133241 | 10 |
| 23 | Motor m. 2 Schwungm.+Kardansch. KM Motor with 2 flywheels and cardan reception | 145556 | 25 |
| 24 | Kardanschale kurz 1,5mm Cardan reception short | 87129 | 4 |
| 25 | Motordistanzplatte KM Motor spacer | 145557 | 4 |
| 26 | Motorkontaktfeder 7 mm Motor contact spring | 145561 | 4 |
| 27 | Motordämpfer Motor silencer | 113376 | 4 |
| 28 | Motorkontaktfeder 14 mm Motor contact spring | 145560 | 4 |
| 29 | Lokführer Loco driver | 110407 | 6 |
| 30 | TS-Isolatoren Part set of isolators | 115978 | 7 |
| 31 | Antenne lang Antenna long | 141200 | 3 |
| 32 | Antenne kurz Antenna short | 141151 | 3 |
| 33 | Innenbeleuchtung Interior lighting | 141659 | 4 |
| 34 | Steckdose VECTRON - umbragrau Socket VECTRON | 141163 | 3 |
| 35 | TS-Griffe Part set handles | 141720 | 6 |
| 36 | TS - LZB Antennen - umbragrau Part set LZB antenna | 122803 | 6 |
| Sound | | | |
| 37 | Platine kpl.m.LED-Platine f. So. PCB complete with LED-PCB f. S. | 145656 | 24 |
| 38 | Lautsprecher Loudspeaker | 129524 | 13 |
| 39 | Sounddecoder Sound-decoder | 147377 | 39 |

Änderungen in Konstruktion und Ausführung vorbehalten
We reserve the right to change the construction and specification

Auflage 02/2025 Blatt 4155 Best. Nr. 7500154930
Edition 02/2025 Page 4155 Order no 7500154930



| Pos. Nr. Pos.no. | Beschreibung Description | Art.-Nr. Art.no. | Preisgruppe Price bracket |
|------------------------|--|---------------------|------------------------------|
| 7500154 | ÖBB VECTRON | | |
| 7510154 | | | |
| 7520154 | | | |
| 1 | Haftrings. 10Stk. 12,9-14,6 mm Traction tyre set,10 pcs. | 40070 | --- |
| 2 | Schneckensatz mit Kardankugel Set of worm gear incl.cardan ball | 148576 | 13 |
| 3 | Standardkupplung Standard coupling | 89246 | 6 |
| 4 | Zugfeder Draw spring | 86208 | 3 |
| 5 | TS-Bremsschläuche und Zughaken Part set of brake tubes & coupling hooks | 139832 | 7 |
| 6 | TS-Schienenräumer,Trafowanne Part set rail guard,transformer tub | 141140 | 12 |
| 7 | TS-Sandkasten,Antenne Part set sand box,antenna | 141144 | 7 |
| 8 | Drehgestellblende links und rechts Bogie left and right | 141194 | 12 |
| 9 | TS-Kinematik und Deichsel Part set kinematics and drawbar | 141136 | 8 |
| 10 | Getriebeboden Gear bottom | 147620 | 7 |
| 11 | Kardanwelle Cardan shaft | 108332 | 4 |
| 12 | Schneckendeckel Worm gear cover | 122822 | 4 |
| 13 | Lager für Schneckenachse Bearing for worm gear axle | 89749 | 6 |
| 14 | Grundrahmen Basic frame | 141135 | 16 |
| 15 | Beilagscheibe Washer | 86108 | 3 |
| 16 | TS-Blendensteckteile Set of cover plug-in parts | 122956 | 5 |
| 17 | Kontakthalter mit Litzen Contact support with leads | 137826 | 9 |
| 18 | Kurzkupplung-Vorentkupplung Short coupling- pre-uncoupling | 115550 | 6 |
| 19 | Getriebeatz 2-teilig Gear set 2-parts | 147619 | 11 |
| 20 | Radsatz m.Zahnrad o.Haftring Wheelset w.gear wheel w/o traction tyre | 141160 | 12 |
| 21 | Schneckenrad doppelt Z=16/17 Worm gear wheel double | 86419 | 6 |
| 22 | Zahnrad Z=17 M=0,4 Gear wheel | 86418 | 5 |
| 23 | Zahnrad Z=12 M=0,4 Gear wheel | 94953 | 3 |
| 24 | Radsatz m.2 Haftringen m.Zahnrad Wheelset w.2 traction tyres w.gear wheel | 141161 | 13 |
| 25 | Pufferflansch links und rechts Buffer flange left and right | 136487 | 5 |
| 26 | GF-Schraube M2x6 mm Self-tapping screw | 114828 | 3 |
| 27 | Zurüstbeutel Bag of accessories | 149306 | 19 |
| 28 | Schürze Skirt | 149302 | 6 |
| 29 | GF-Schraube M1,6x4 mm Self-tapping screw | 114850 | 3 |
| 30 | TS- Antennen,Flansch Part set -Antenna,flange | 146345 | 9 |
| 31 | Treppe f. DG-Blende Step f. bogie frame | 149305 | 4 |
| 32 | Schnecke Wormgear | 86704 | 6 |
| 33 | Pufferflansch li+re Vitrine Buffer flange left and right | 141162 | 4 |
| 34 | UIC-Dose UIC-Socket | 141559 | 3 |
| AC-Wechselstrom | | | |
| 35 | Getriebeboden AC Gear bottom AC | 130040 | 8 |
| 36 | Radsatz o.Haftring o.Zahnrad AC Wheelset w/o traction tyre w/o gear wheel AC | 141242 | 11 |
| 37 | Schraube M1,5x5 mm Screw | 108137 | 3 |
| 38 | Radsatz m.2 Haftringen m.Zahnrad AC Wheelset w.2 traction tyres w.gear wheel AC | 141168 | 13 |
| 39 | Schleifer 42 mm Center pick-up | 86030 | 14 |
| 40 | Radsatz m.Zahnrad o.Haftring AC Wheelset w.gear wheel w/o traction tyre AC | 141167 | 12 |

Ersatzteile erhalten Sie direkt unter www.roco.cc, bei Ihrem Fachhändler.
Spare parts can be ordered directly at www.roco.cc and from your local dealer.